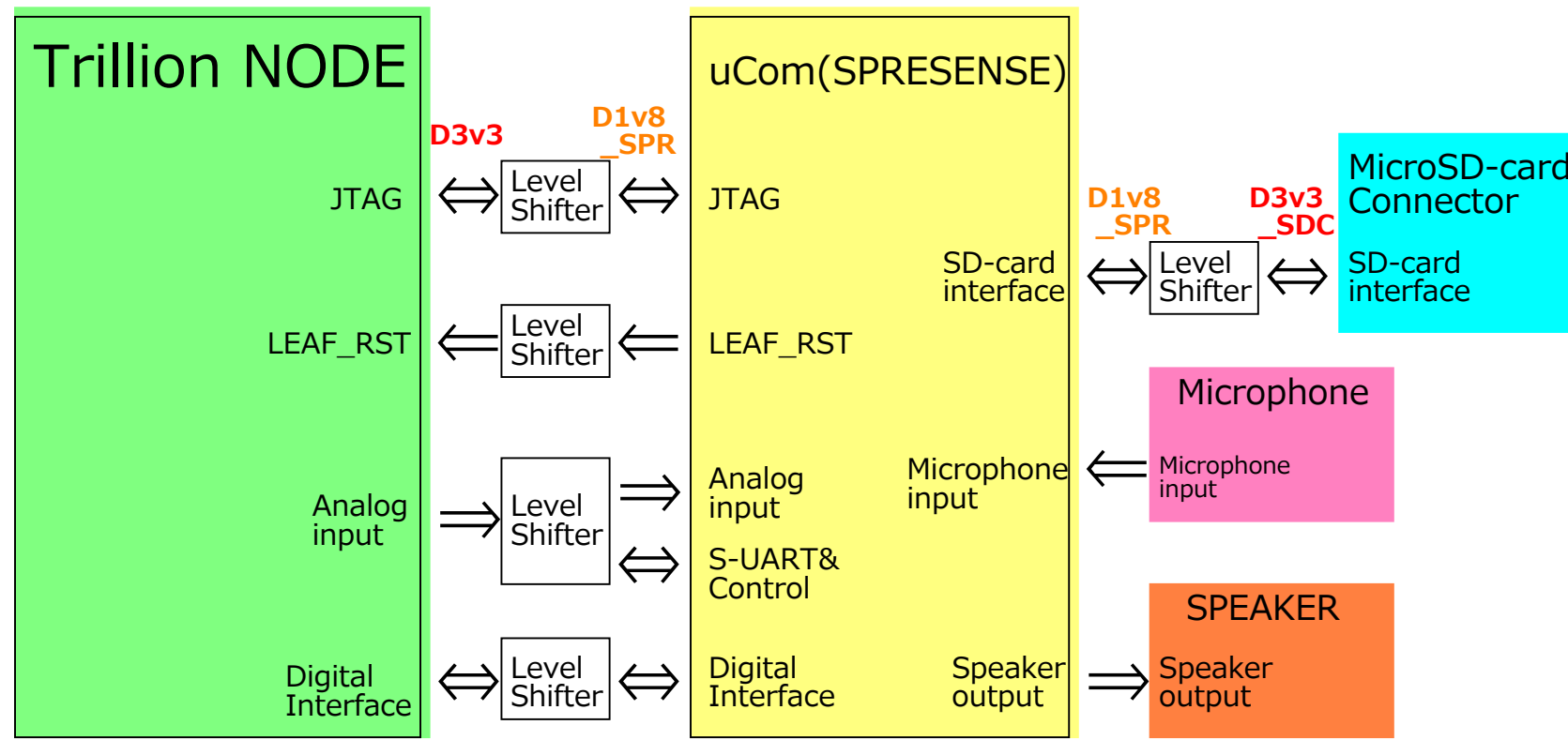
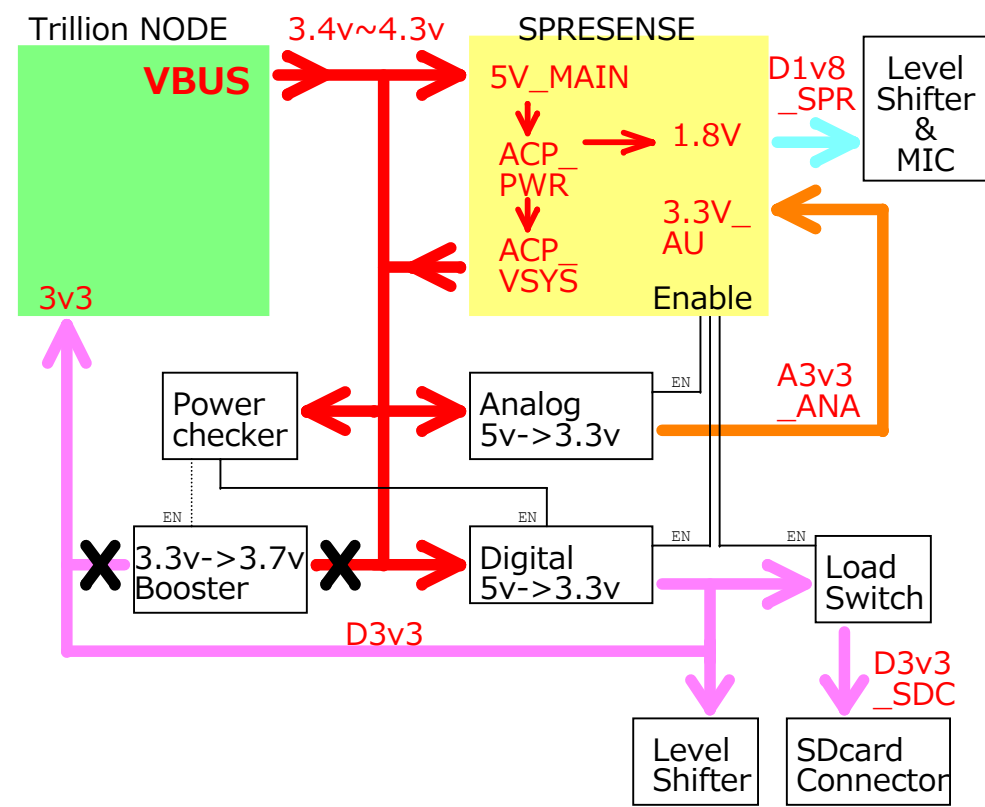


SPRELEAF BOARD BLOCK diagram

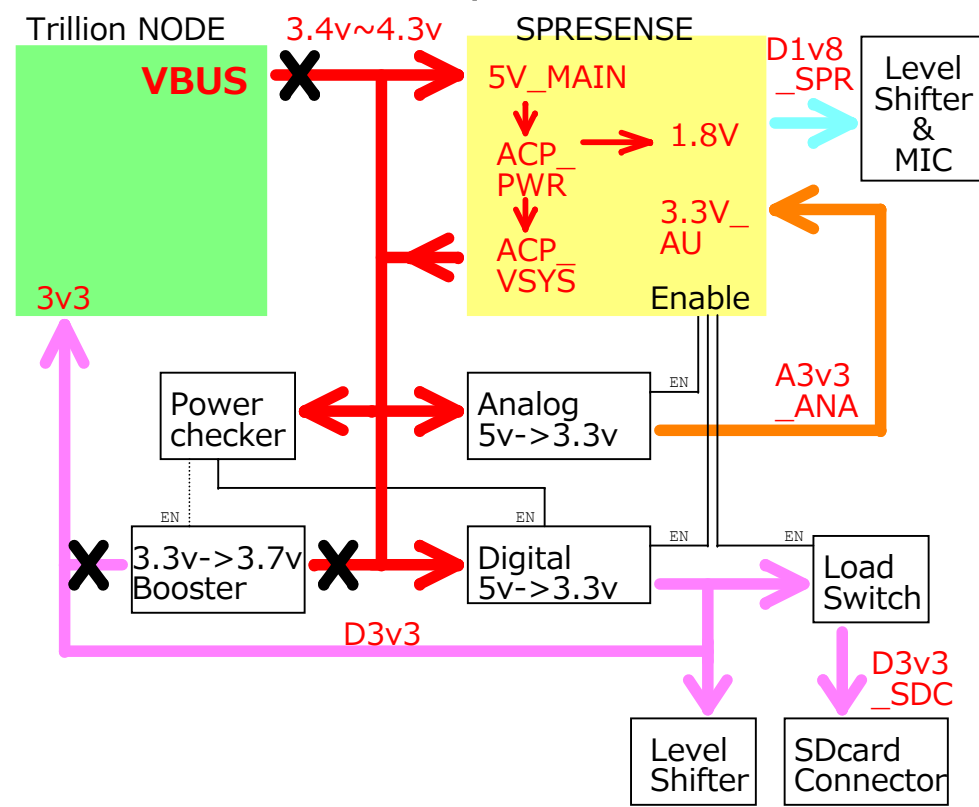


Power Management

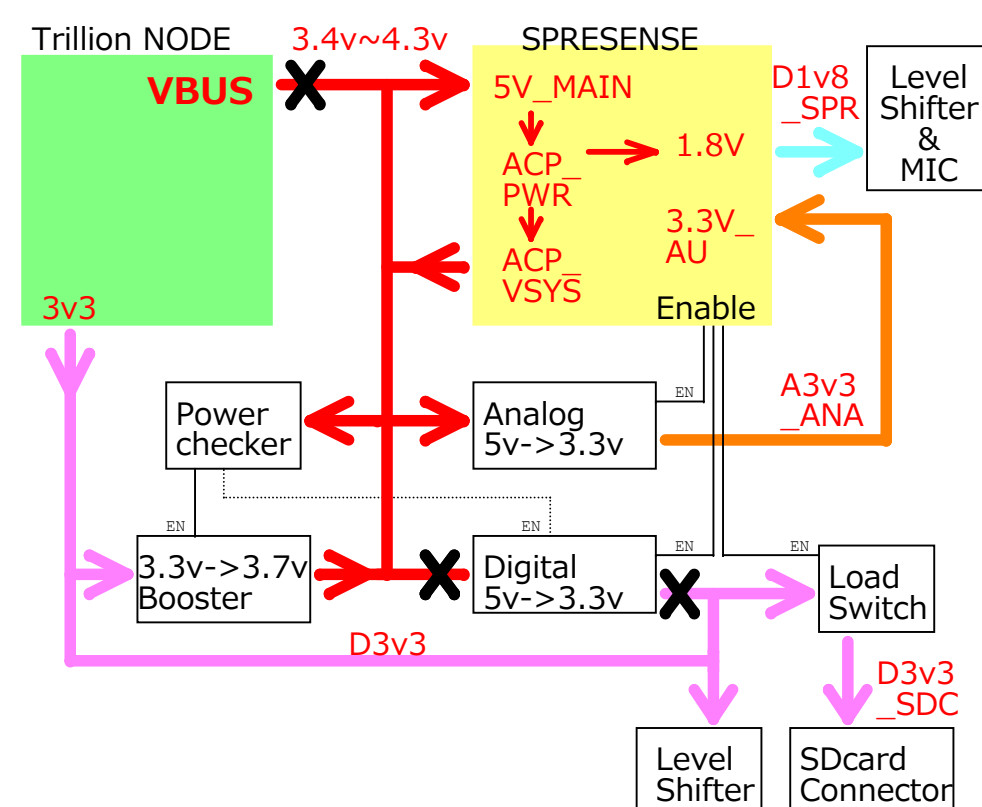
Trillion NODE(VBUS) P5v0 Input



SPREENS Main External Power Input

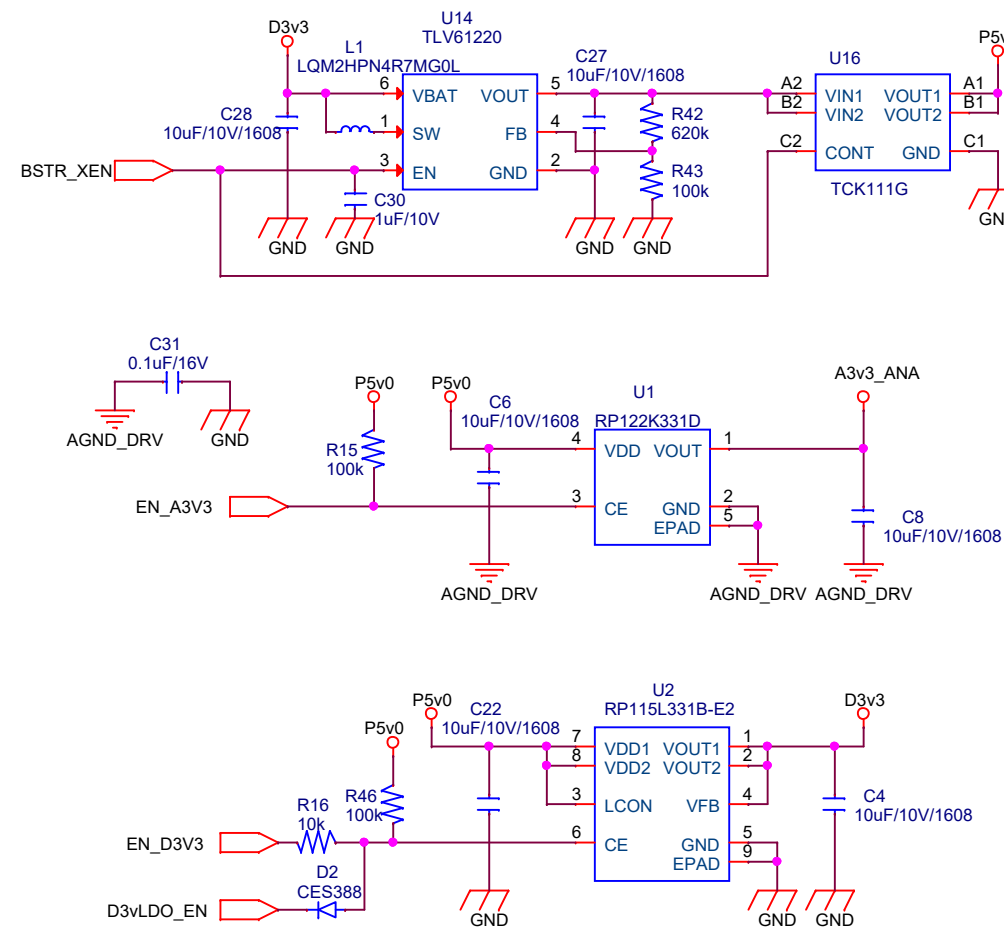


Trillion NODE(3v3) D3v3 Input

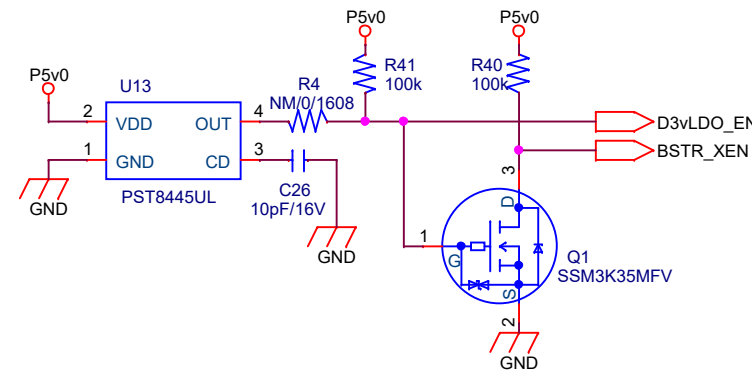


Title		
BLOCK		
Size	Document Number	Rev
A3	<Doc>	1.0
Date:	Wednesday, January 15, 2020	Sheet 1 of 3

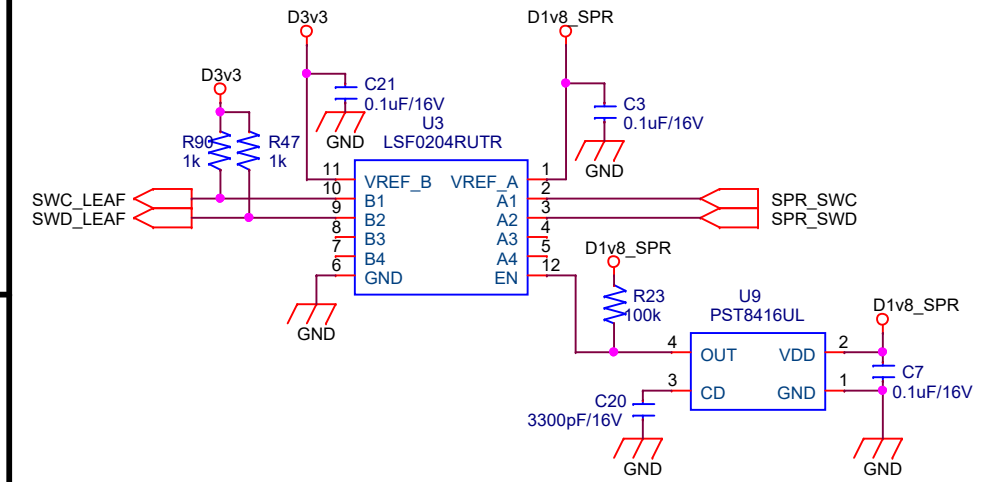
LDO & Booster



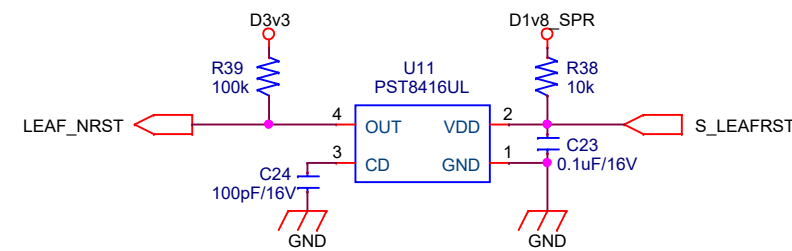
Power checker (USB5V or Booster3.5V)



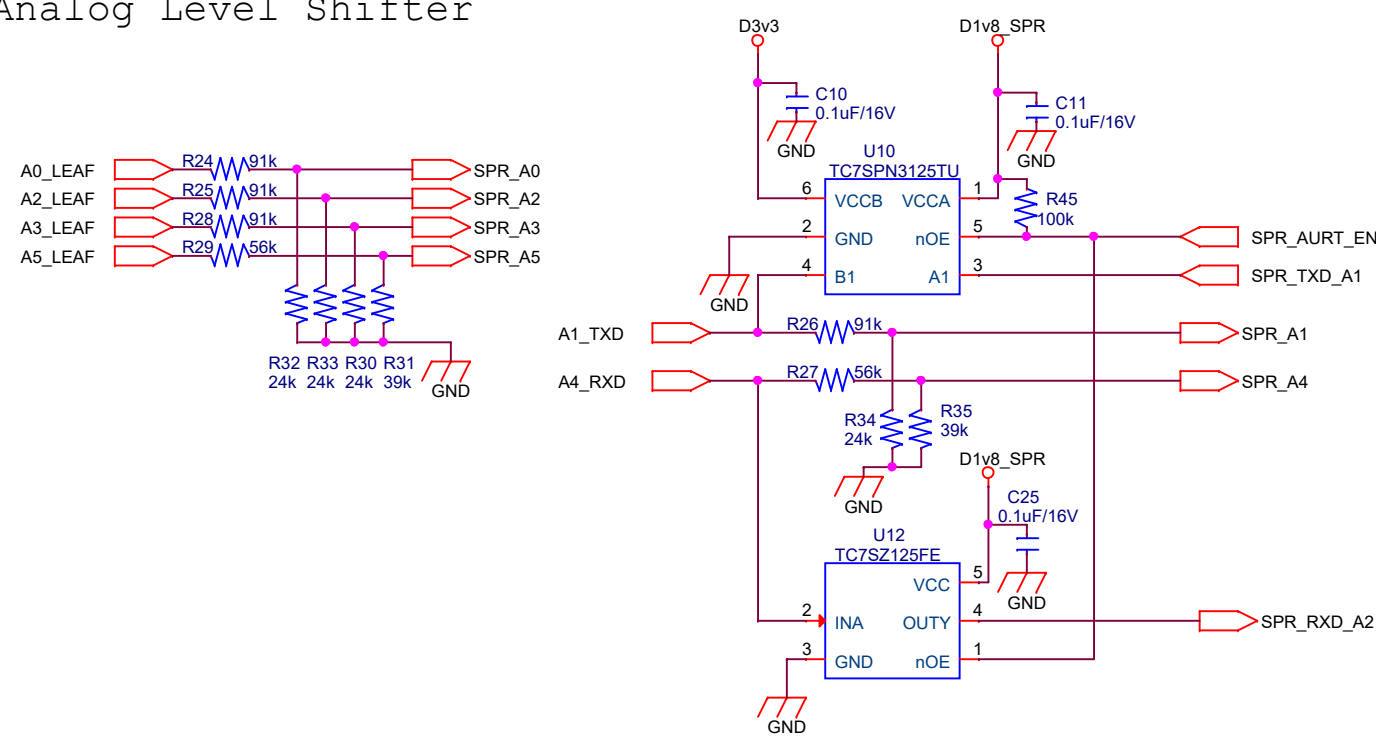
ICE JTAG I/F



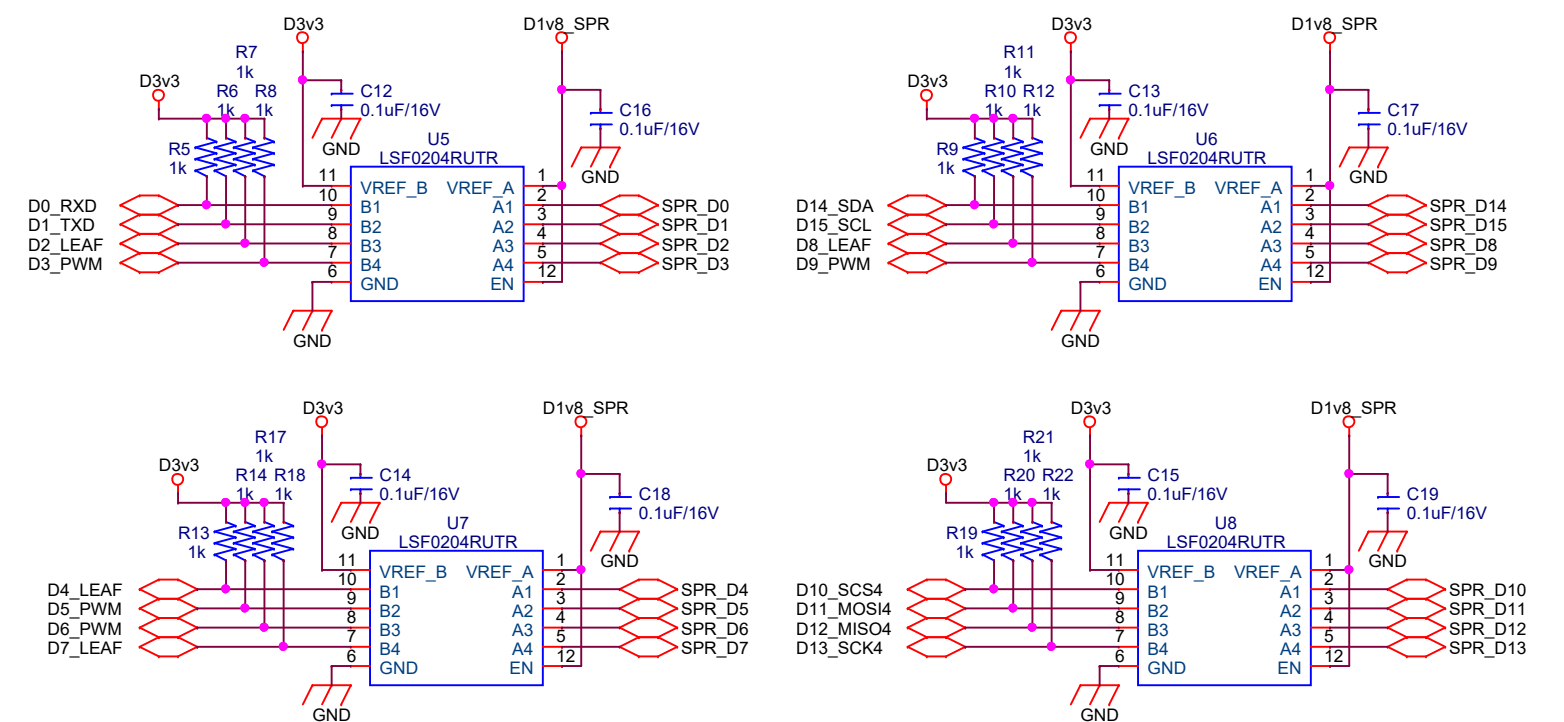
LEAF RESET



Analog Level Shifter



Digital Level Shifter



Title		
POWER , Level Shifter		
Size	Document Number	Rev
A3	<Doc>	1.0
Date:	Thursday, January 09, 2020	Sheet 3 of 3